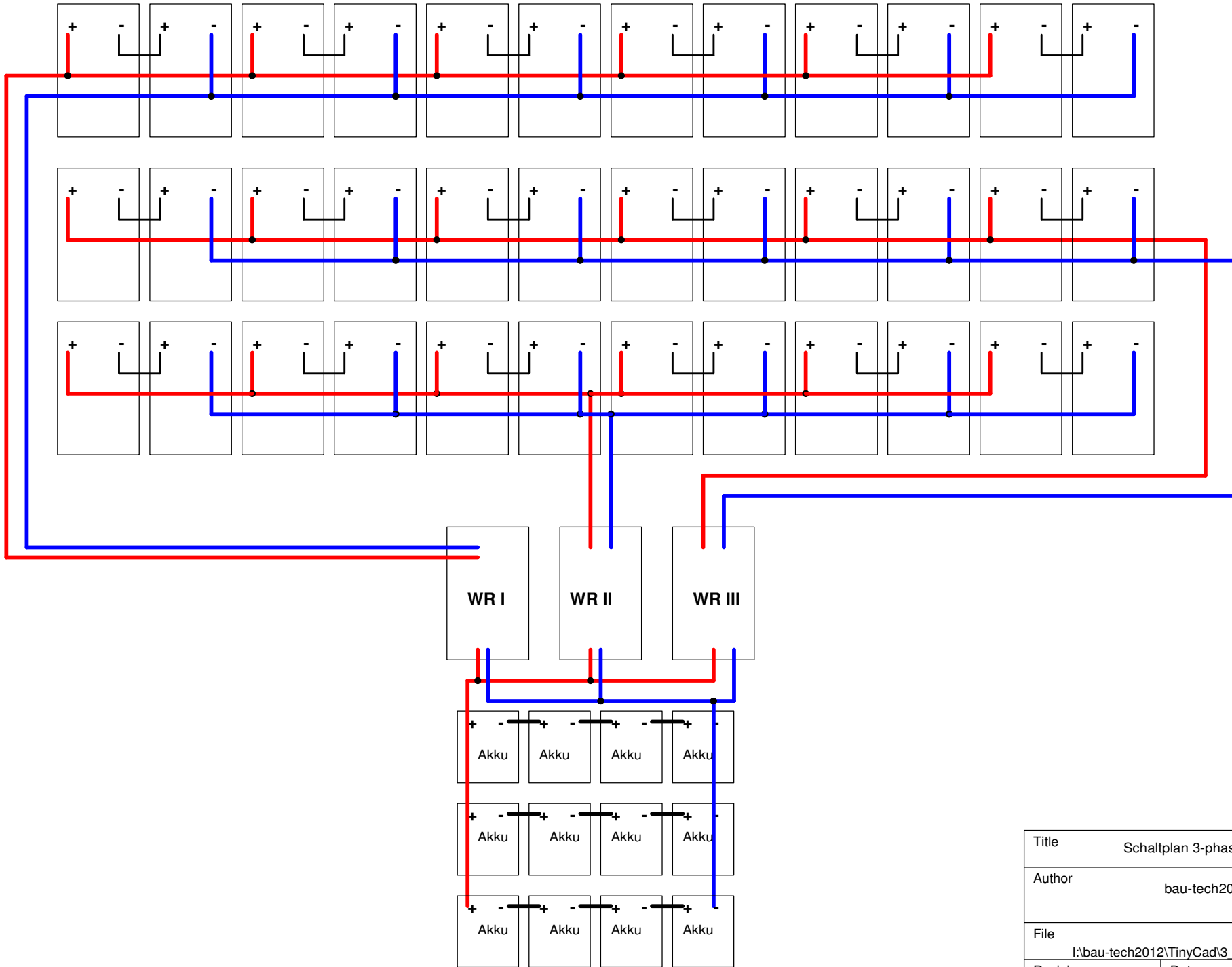


Solarmodule



Title	Schaltplan 3-phasig 9000 Watt		
Author	bau-tech2012		
File	I:\bau-tech2012\TinyCad\3_phasig_9kW.dsn	Document	
Revision	1.0	Date	Sheets 1 of 1