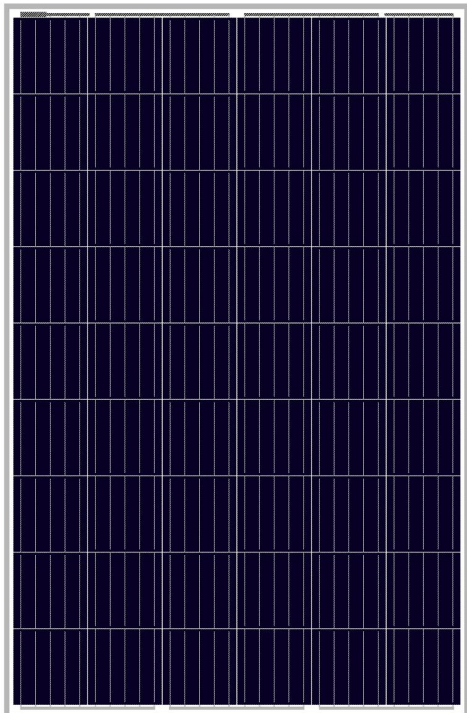


## U 54 Cells Polycrystalline Module MSP250AS -27



### ABOUT MÜNCHEN ENERGIEPRODUKTE

- München Energieprodukte is one of the most innovation, reliability, quality and value focused companies in the entire sector thanks to its focus on solar modules and technology ranging from roof systems to full-scale power plants. With markets in Germany, Japan, China, Australia and the Americas, München Energieprodukte is truly a global provider in the field of solar power.
- Whether you're picking solar modules for your residential / commercial roof system or power plant, you know you can rely on the München Energieprodukte brand. Customers who choose München Energieprodukte know we will deliver maximum performance with the highest quality product at the best value.

### PERFORMANCE

- Tight positive power tolerance of -0%/W to +5%/W ensures you receive modules at or above nameplate power and contributes to minimizing module mismatch losses leading to improved system yield.
- Monocrystalline silicon solar cells with low-iron tempered high transmission and textured glass deliver a module efficiency of up to 20.0%, maximizing the kWh output of your system per unit area.

### QUALITY & RELIABILITY

- Tested for harsh environments  
(salt mist and ammonia corrosion testing: IEC 61701, DIN 50916:1985 T2)
- Modules independently tested to ensure conformance with certification and regulatory standards.

### WARRANTIES

- 12 year limited product warranty
- 25 year limited power output warranty

Please refer to our Warranty Terms and Conditions



MAXIMUM ENERGY | [WWW.MUENCHEN-ENERGIEPRODUKTE.DE](http://WWW.MUENCHEN-ENERGIEPRODUKTE.DE)



# U 18.84% Cells Efficiency

## Polycrystalline Module MSP250AS -27

### Electrical parameters at Standard Test Conditions (STC)

AT STC(AM1.5,Temp 25°C,E 1000W/m <sup>2</sup> )		
Module Type	MSP250AS -27	
Power output	P <sub>max</sub>	250w
Power output tolerances	ΔP <sub>max</sub>	0~+5w
Module efficiency	η <sub>m</sub>	16.97%
Voltage at P <sub>max</sub>	V <sub>mp</sub>	28.16V
Current at P <sub>max</sub>	I <sub>mp</sub>	8.88A
Open circuit voltage	V <sub>oc</sub>	33.80V
Short circuit current	I <sub>sc</sub>	9.16A

STC: 1000W/m<sup>2</sup> irradiance, 25 °C cell temperature, AM1.5g spectrum according to EN 60904-3. Average relative efficiency reduction of 5% at 200W/m<sup>2</sup> according to EN 60904-1.

### THERMAL CHARACTERISTICS

Nominal operating cell temperature	NOCT	°C	45 +/-2
Temperature coefficient of P <sub>max</sub>	γ P <sub>max</sub>	% / k	-0.38
Temperature coefficient of V <sub>oc</sub>	β V <sub>oc</sub>	mV/k	-114
Temperature coefficient of I <sub>sc</sub>	α I <sub>sc</sub>	mA/k	+4.1

NOCT:open-circuit module operation temperature at 800W/m<sup>2</sup> irradiance,20° Cambient temperature,1m/s wind

### OPERATING CONDITIONS

Max. System Voltage	1500VDC
Max. series fuse rating	15A
Limiting reverse current	15A
Operating temperature range	-40°C to 85°C
Max. static load, front (e.g., snow and wind)	5400Pa
Max. static load, back (e.g., wind)	2400Pa
Max. hailstone impact (diameter/velocity)	25mm / 23m/s

### MECHANICAL CHARACTERISTICS

Front Cover (material / thickness)	low-iron tempered glass / 3.2mm
Cell (quantity)	54 pcs(6*9)
Encapsulant (material)	EVA
Frame material	anodized aluminum alloy
Junction box (protection degree)	≥ IP67 with bypass-diode
Cable (length / cross sectional area)	1000mm / 4mm <sup>2</sup>
Plug connector(type/protection degree)	MC4 / IP67
Fire Safety Classification (IEC 61730)	Class C

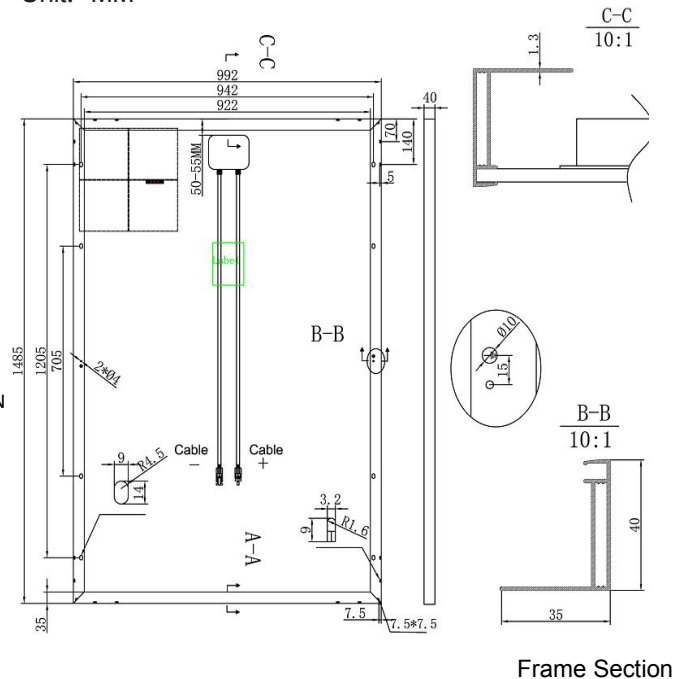
Specifications are subject to change without notice.

### GENERAL CHARACTERISTIC

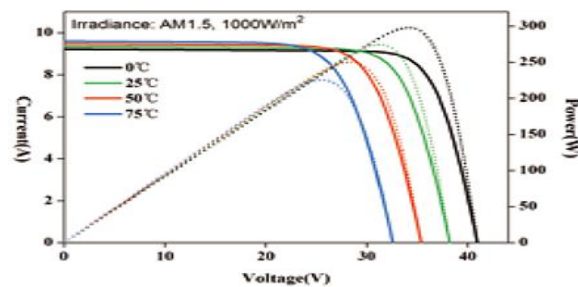
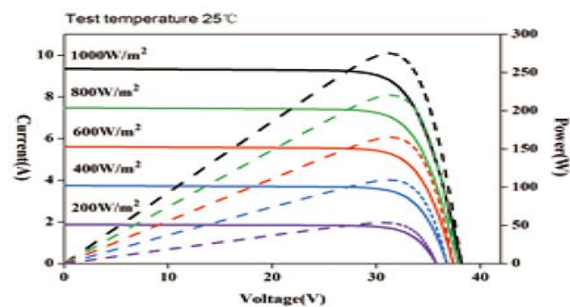
Dimensions	1485mm / 992mm / 40mm
Weight	15.8kg

### MODULE DIMENSION DETAILS

Unit: MM



### I-V Curves



**München Energieprodukte**  
MAXIMALENERGIE

© München Energieprodukte GmbH  
Address: Stethaimerstr.32-34 84034 Landshut, Bayern  
Phone: 0049-(0) 8943712986  
Email: Sales@muenchen-energieprodukte.de  
Web: www.muenchen-Energieprodukte.de